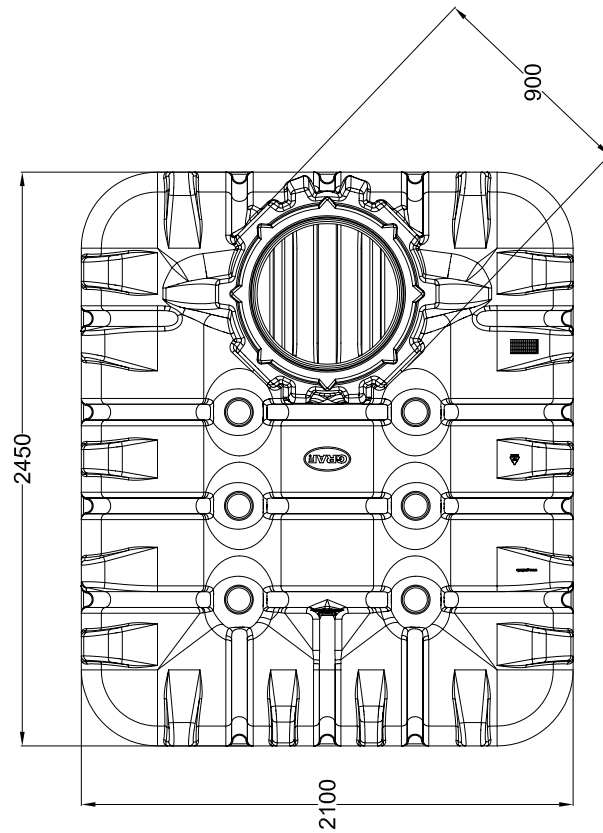
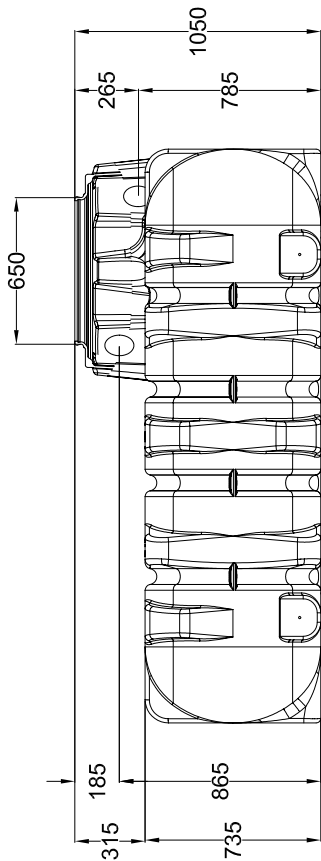
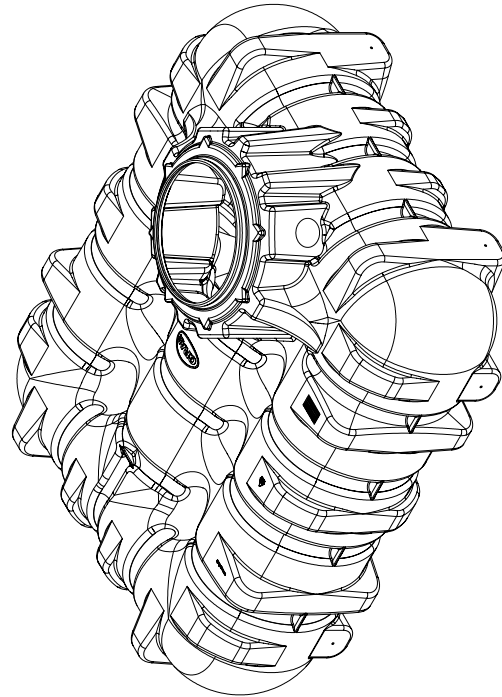
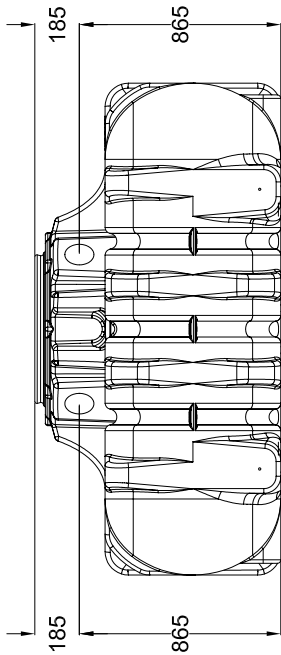




GRAF Rainwater Flat tank  
Platin 3000 L

Order no.

390001



www.graf.info  
info@graf.info

All Dimensions in mm  
+/- 3 % Tolerance

Weight

Approx. 180 kg

Date

23.06.2010

Name

Sheet 1/1