

1

2

3

4

Tolerance class:

A

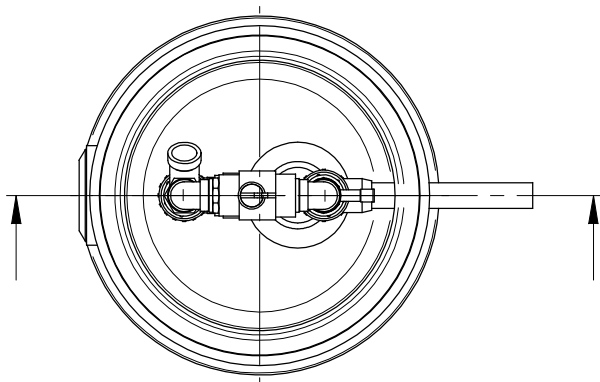
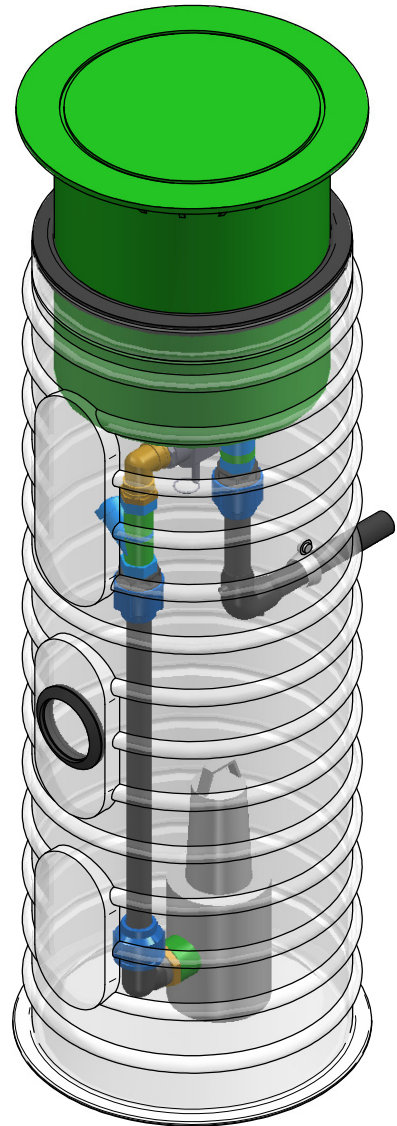
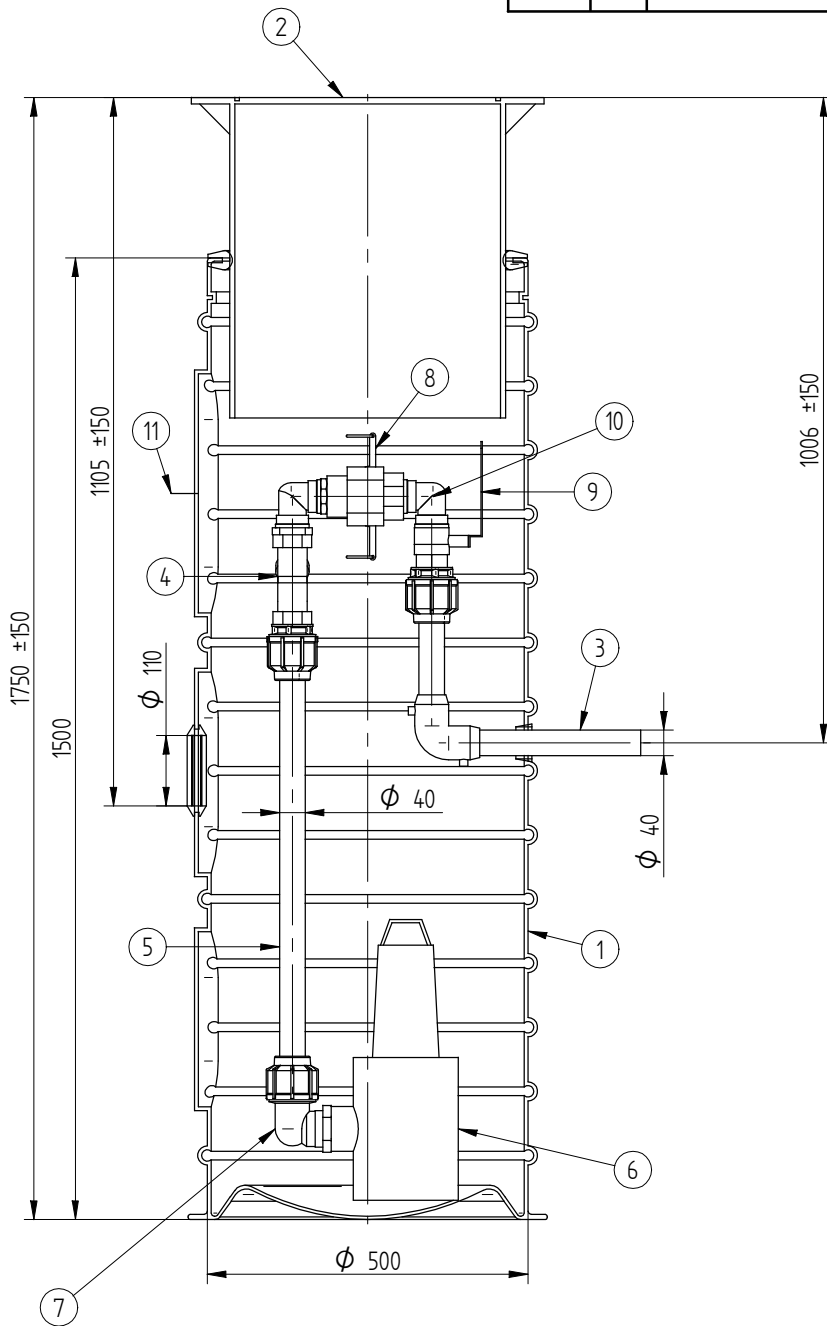
B

C

D

E

F



| Pos. | Name                        | Technical data   | Quantity |
|------|-----------------------------|------------------|----------|
| 1    | Body                        | PE, D500         | 1        |
| 2    | Cover lockable (telescopic) | Plastic          | 1        |
| 3    | PE pipe                     | D40, PN10, SDR17 | 1        |
| 4    | Check valve                 | DN32             | 1        |
| 5    | Discharge pipe              | PE, D40          | 1        |
| 6    | Pump                        |                  | 1        |
| 7    | GF elbow                    | DN32             | 1        |
| 8    | Camlock                     | DN32; plastic PP | 1        |
| 9    | Ball valve                  | DN32; Brass      | 1        |
| 10   | Elbow                       | PVC or brass     | 2        |
| 11   | Cable bushing               |                  | 1        |

1.02.2016

Date

MV

Enjin.

Signature

Sheets

Pumping station "Juku" 1500

Name

eccua



Mass

Number

Rv

All rights reserved.