

1

2

3

4

Tolerance class:

A

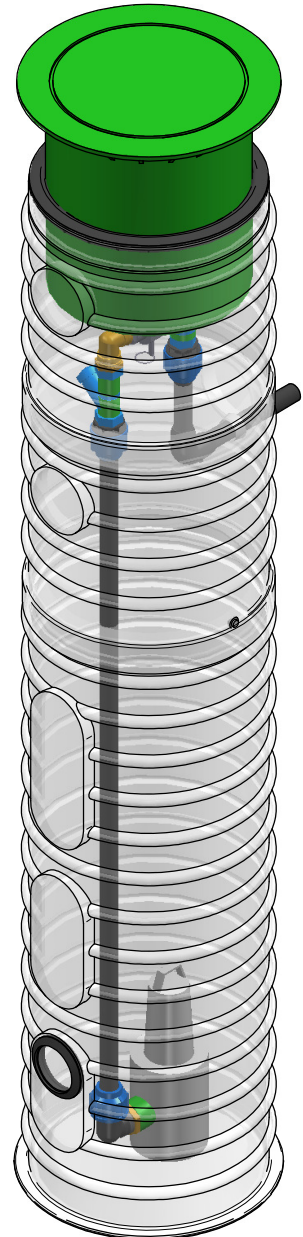
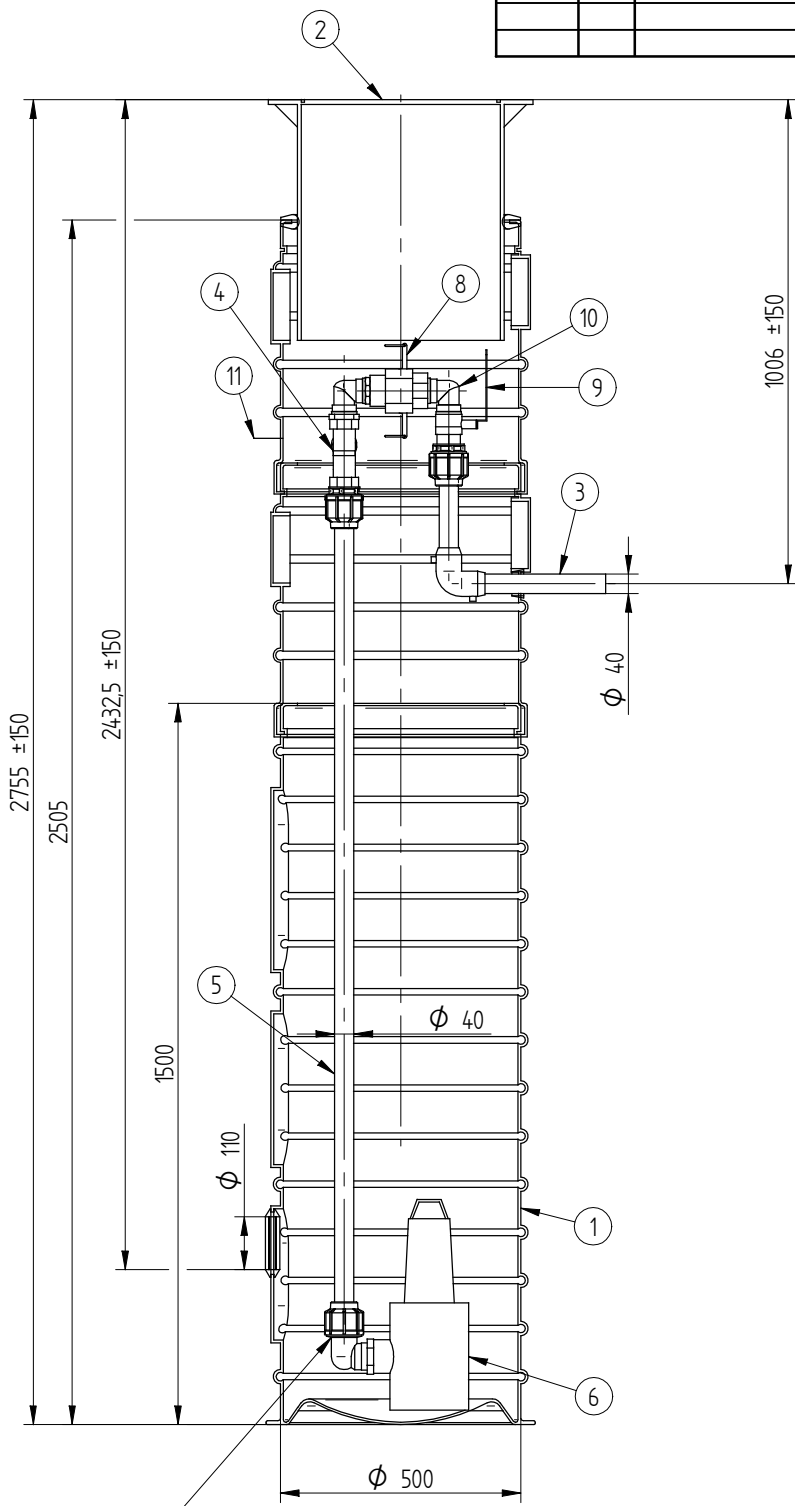
B

C

D

E

F



Pos.	Name	Technical data	Quantity
1	Body	PE, D500	1
2	Cover lockable (telescopic)	Plastic	1
3	PE pipe	D40, PN10, SDR17	1
4	Check valve	DN32	1
5	Discharge pipe	PE, D40	1
6	Pump		1
7	GF elbow	DN32	1
8	Camlock	DN32; plastic PP	1
9	Ball valve	DN32; Brass	1
10	Elbow	PVC or brass	2
11	Cable bushing		1

1.02.2016

Date

MV

Enjin.

Signature

Sheets

Pumping station "Juku" 2500

Name

eccua



Mass

Number

Rv

All rights reserved.