

1

2

3

4

Tolerance class:

A

Ground Level

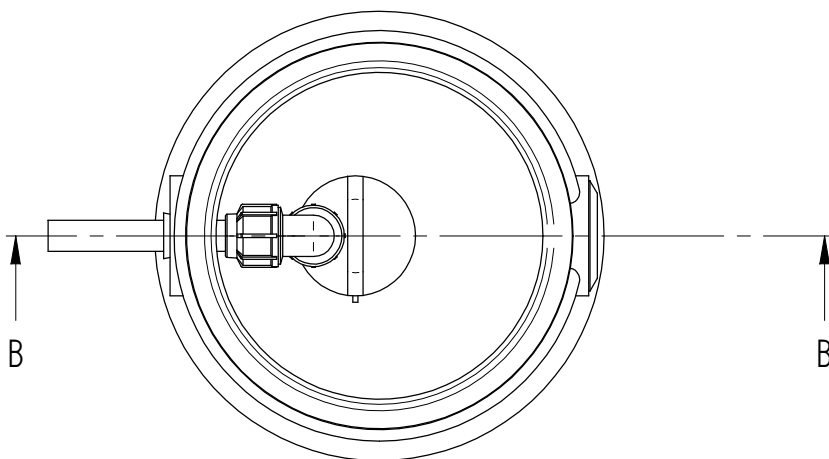
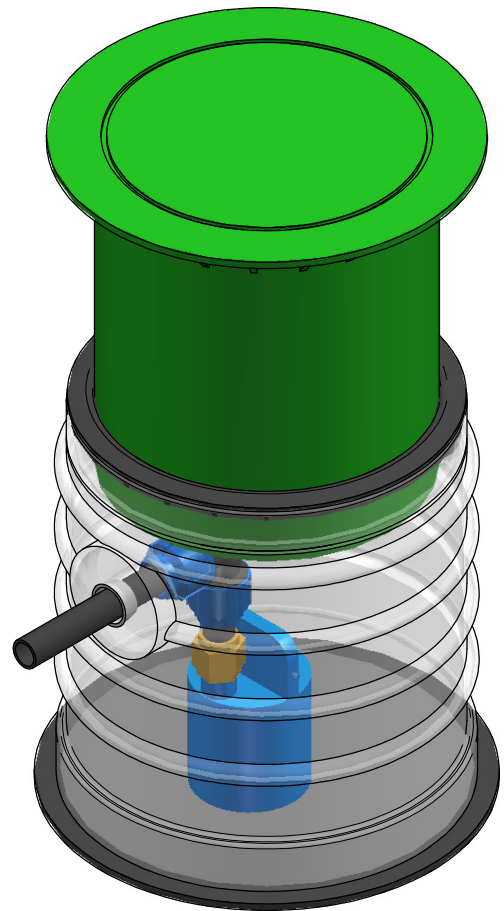
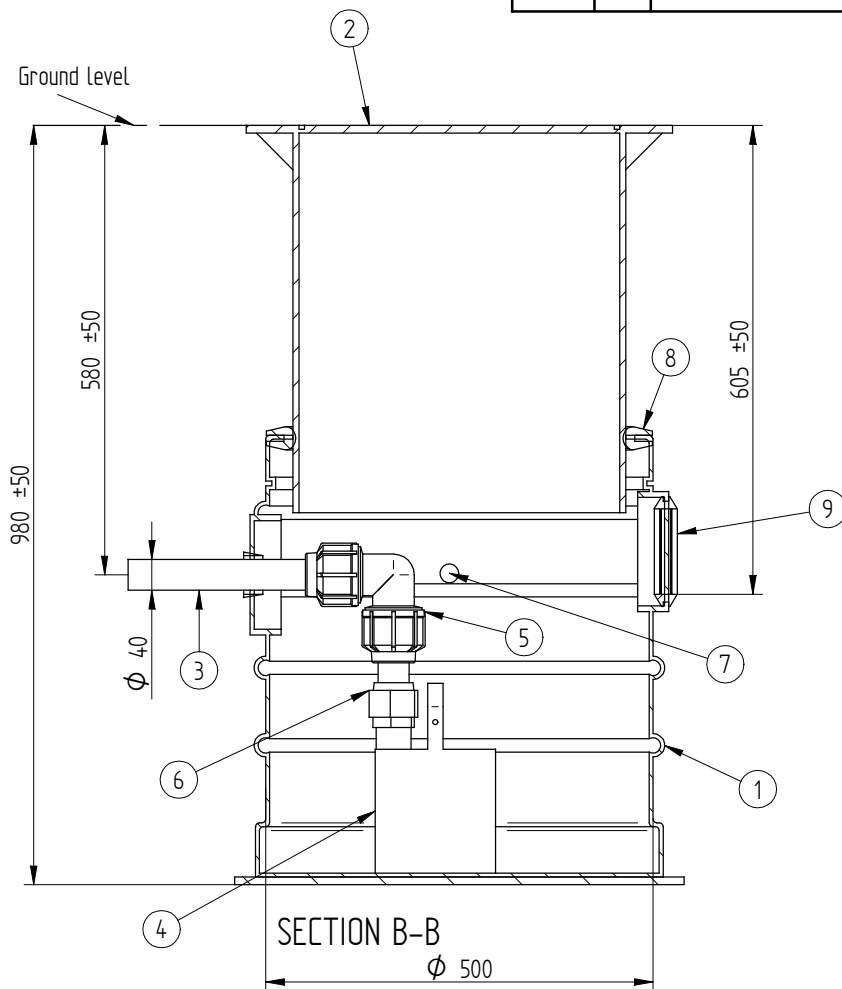
B

C

D

E

F



Pos.	Name	Technical data	Quantity
1	Body	PE, D500	1
2	Cover (telescopic)	Plastic	1
3	PE pipe	D40, PN10, SDR17	1
4	Pump		1
5	GF elbow	DN32	1
6	coupling	Brass or GF (plastic)	1
7	Cable bushing	M16	1
8	Seal		1
9	Inlet pipe bushing	D110	1

1.02.2016

Date

MV

Engr.

Signature

Sheets

Pumping station Juku 500

Name



Mass

Number

Rv

All rights reserved.