

1

2

3

4

5

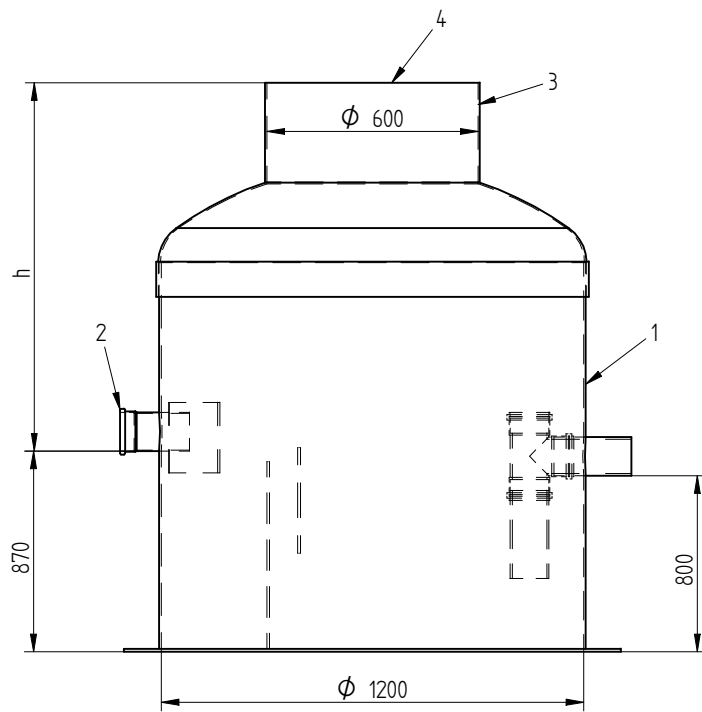
6

A

B

C

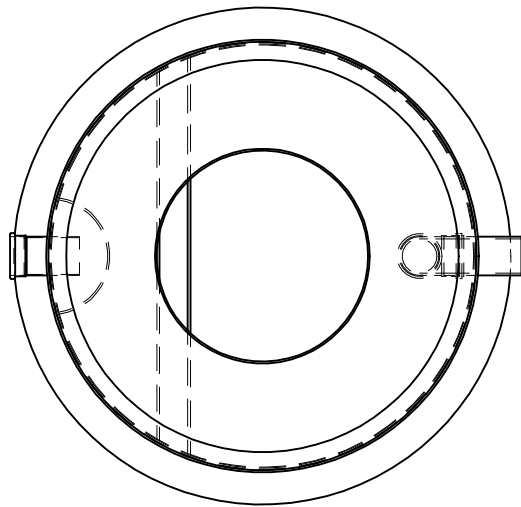
D




h = sisendtoru sügavus maapinnast

h = _____ mm (standardkõrgus 1300mm)

Märkused: _____



| Nr | Nimetus | Materjal | Möödud | Tk |
|----|-------------------|------------|-------------|----|
| 1 | Korpus | klaasplast | $\phi 1200$ | 1 |
| 2 | Sisendtoru | PVC | $\phi 110$ | 1 |
| 3 | Hoolduskaev | Klaasplast | $\phi 600$ | 1 |
| 4 | Kaas (vali sobiv) | plast | $\phi 600$ | |
| | | malm | $\phi 600$ | |

| | | | | | |
|---|--------|-----------|--------|-------------------|----|
| Date | Engin. | Signature | Sheets | Rasvaeraldaja NS2 | |
| | | | | Name | |
| eccua  | | | | Mass | Rv |
| | | | | Number | |