

1

2

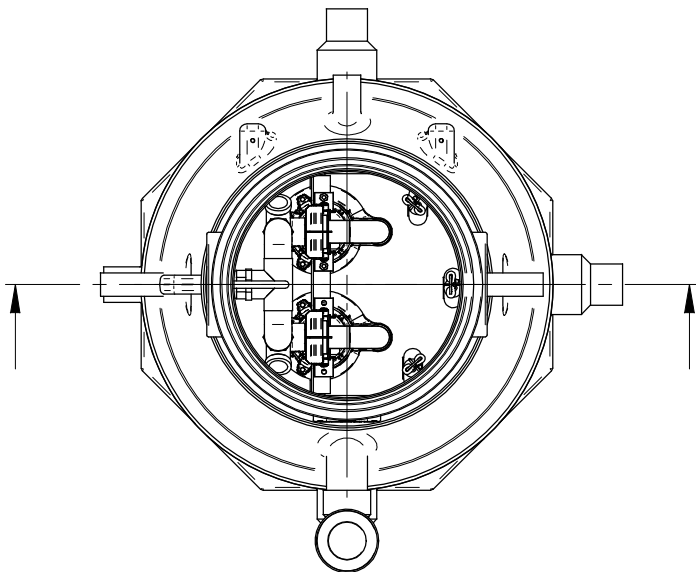
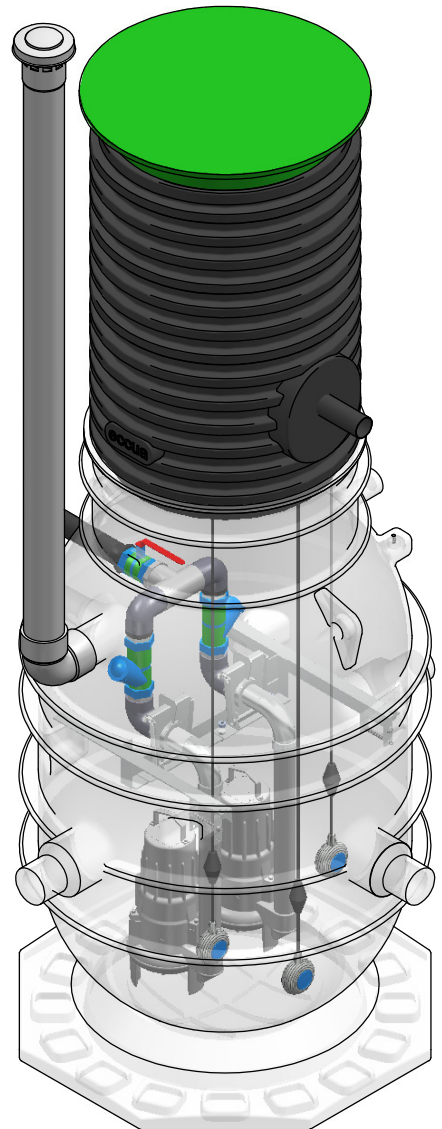
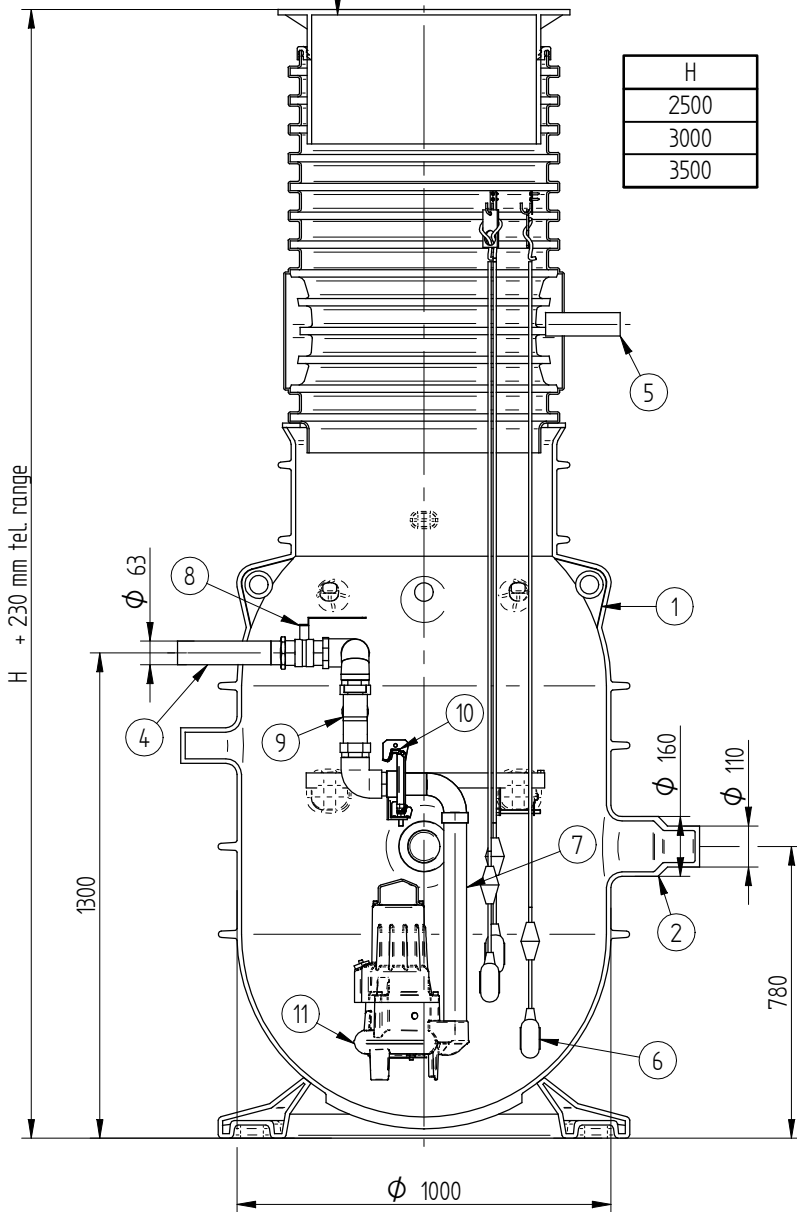
3

4

Tolerance class:

Pos.	Name	Techn. data	Qty.
1	Well	PE	1
2	Inlet	D110 / D160	3
3	Telescopic cover	Plastic	1
4	Outlet pipe	PE, d63	1
5	Cable inlet		1
6	Switch key		3
7	Discharge pipe	AISI304	2
8	Ball valve	Brass, DN50	1
9	Check valve	GGG, DN50	2
10	Discharge connection	AISI304, DN50	2
11	Pump		2
12	Ventilation	PVC, d110	1

1. Include lifting chain for pump



01.02.2016

Date

Enjin.

Signature

Sheets

Pumping station "Walter"

Name

eccua



Mass

Number

Rv

All rights reserved.