


Object:

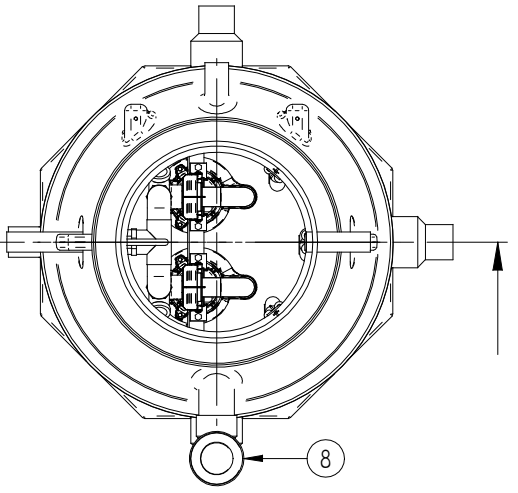
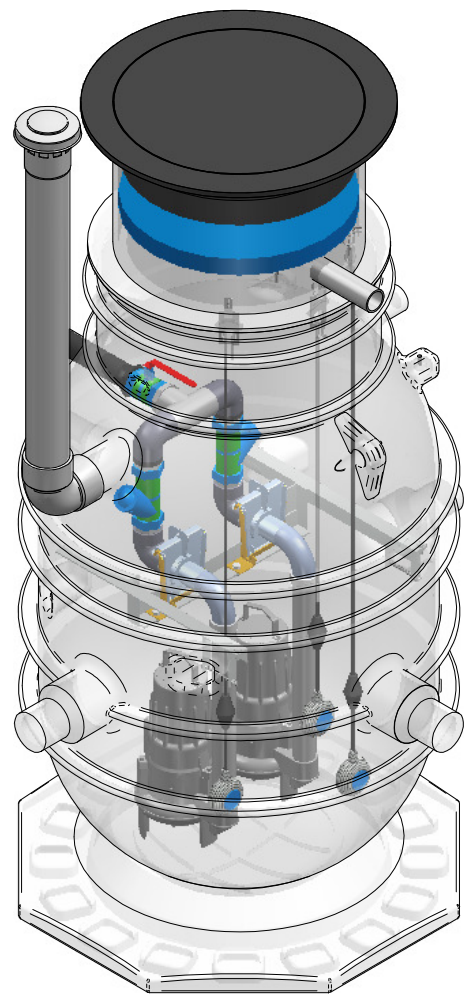
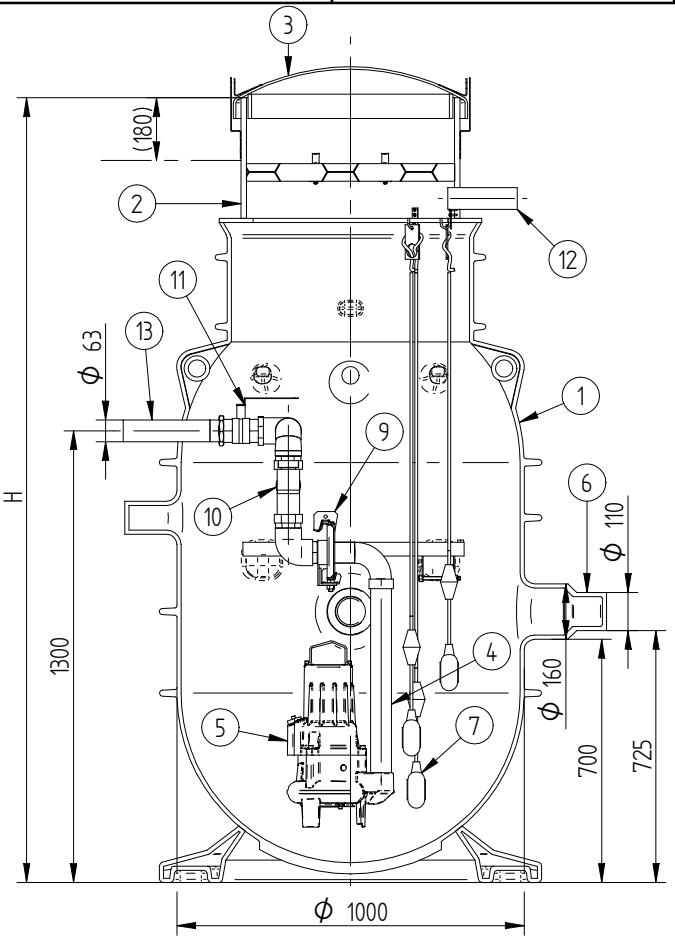
Pos.	Name	Technical data	Quantity
1	Well	PE, d1000	1
2	Manhole	PE, d600	1
3	Cover, insulated	PE / DI	1
4	Discharge pipe	AISI304	set
5	Pump	H = m, Q = l/s	1 / 2
6	Inlet	110 / 160	3
7	Switch key		No / 1 / 2 / 3
8	Ventilation pipe	PVC	1
9	Discharge connection	AISI304	set
10	Check valve	GGG	set
11	Ball valve	Brass	1
12	Pipe for cable	PE, d63	1
13	Outlet	PE, d63	1

PS height, H

Notes:

1. Pump lifting chains (AISI316) are included.
2. If there is a difference between drawing and specification, then correct is specification.

				Self-anchoring pumpingstation "Walter"	
Date	Engin.	Signature	Sheets	Name	
eccua 				Number	Rv



The design, materials and specifications shown are subject to change without notice due to our continuing programme of product development