

1

2

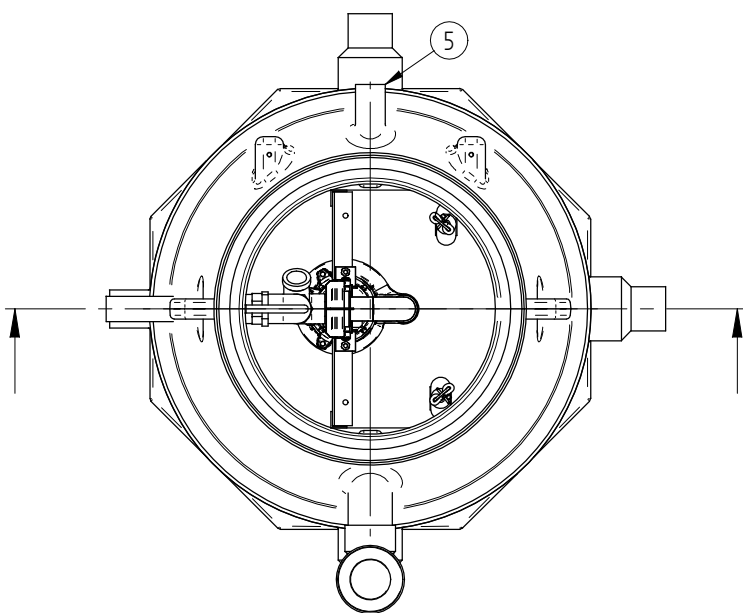
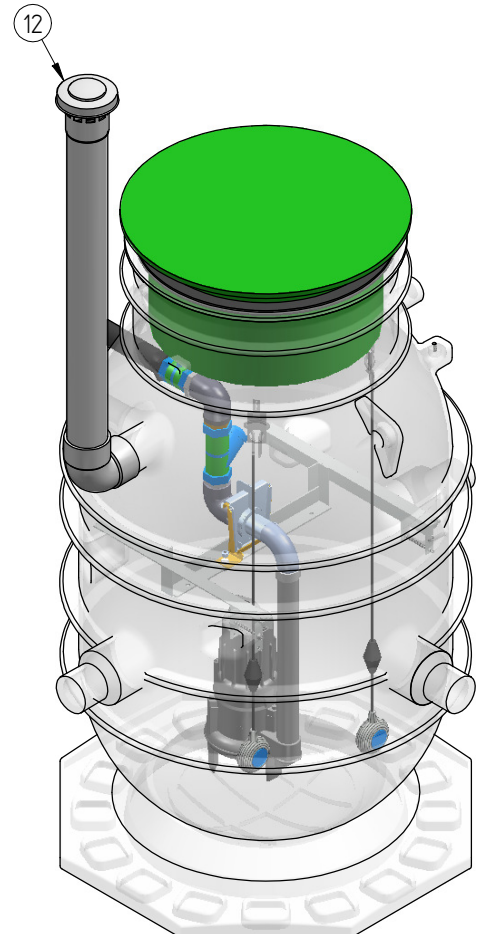
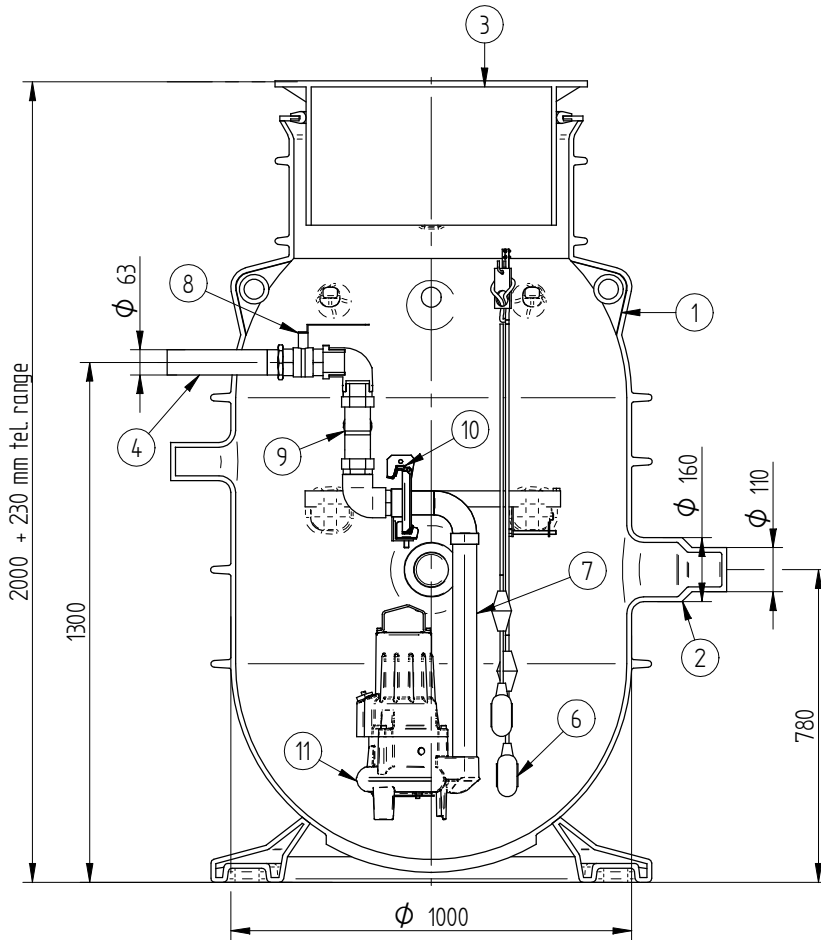
3

4

Tolerance class:

| Pos. | Name | Techn. data | Qty. |
|------|----------------------|---------------|------|
| 1 | Well | PE | 1 |
| 2 | Inlet | D110 / D160 | 3 |
| 3 | Telescopic cover | Plastic | 1 |
| 4 | Outlet pipe | PE, d63 | 1 |
| 5 | Cable inlet | | 1 |
| 6 | Switch key | | 2 |
| 7 | Discharge pipe | AISI304 | 1 |
| 8 | Ball valve | Brass, DN50 | 1 |
| 9 | Check valve | GGG, DN50 | 1 |
| 10 | Discharge connection | AISI304, DN50 | 1 |
| 11 | Pump | | 1 |
| 12 | Ventilation | PVC, d110 | 1 |

1. Include lifting chain for pump



01.02.2016

Date

Enjin.

Signature

Sheets

Pumping station "Walter"

Name

eccua



Mass

Number

Rv

All rights reserved.