

Ref. : DI 7240N

Rev. : D

Date : 30/01/2017

Page : 1/1

RUBBER EXPANSION JOINT WITH SWIVEL FLANGES

DI 7240N



APPLICATION

Hot water, cold water, water treatment, sewerage, heating, air conditioning, control of vibrations and noise on pipes etc.

GENERAL CHARACTERISTICS

EPDM rubber bellow.
Zinc-plated steel flanges drilled ends - PN10 / PN16 (DN32-150), PN10 (DN200-600).

Movement :

- Axial compression,
- Axial extension,
- Lateral movement.

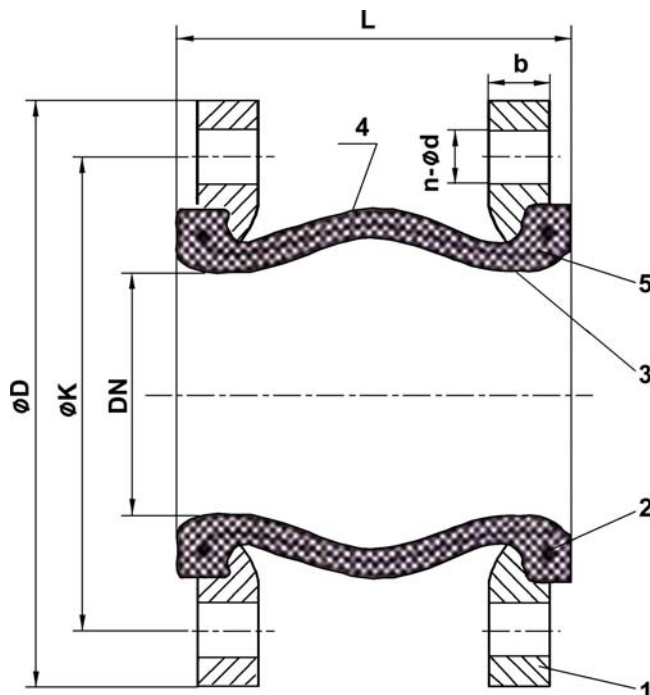
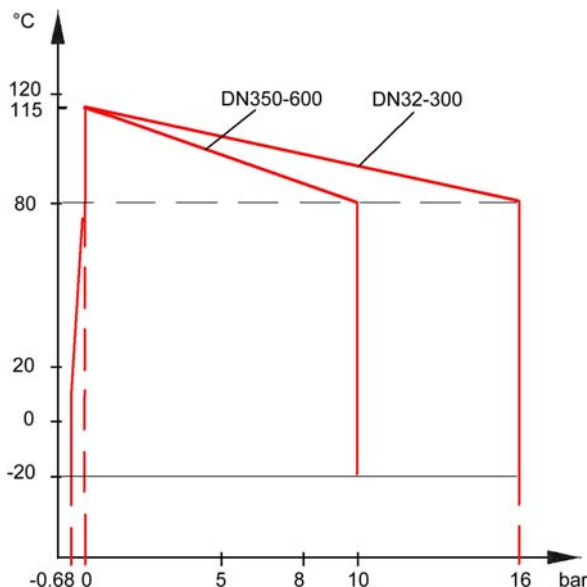
CONSTRUCTION

5	1	Reinforcement	Nylon tyre cord
4	1	External bellow	EPDM
3	1	Internal bellow	EPDM
2	2	Reinforced wire	Steel
1	2	Flange	Zinc plated steel
Pos.	Q-ty	Description	Material

DIMENSIONS

DN		L	ØK	n x Ød	ØD	b	Lc	Le	Li	A°	Weight (kg)
mm	inch										
32	1" 1/4	95	100	4 x Ø18	140	15	10	6	10	25	2.93
40	1" 1/2	95	110	4 x Ø18	150	15	10	6	10	25	3.60
50	2"	105	125	4 x Ø18	165	15	10	6	10	25	4.23
65	2" 1/2	115	145	4 x Ø18	185	15	15	8	12	25	5.21
80	3"	135	160	8 x Ø18	200	17	15	8	12	25	6.20
100	4"	135	180	8 x Ø18	220	17	20	12	16	15	7.00
125	5"	165	210	8 x Ø18	250	19	20	12	16	15	9.53
150	6"	180	240	8 x Ø23	285	21	20	12	16	15	12.60
200	8"	205	295	8 x Ø23	340	21	20	12	16	15	17.56
250	10"	240	350	12 x Ø23	395	23	30	14	25	8	20.00
300	12"	260	400	12 x Ø23	445	23	30	14	25	8	25.00
350	14"	265	460	16 x Ø23	505	25	30	14	25	8	28.00
400	16"	265	515	16 x Ø27	565	25	30	14	25	8	47.00
450	18"	265	565	20 x Ø27	615	25	30	14	25	8	49.00
500	20"	265	620	20 x Ø27	670	27	30	14	25	8	61.00
600	24"	265	725	20 x Ø30	780	27	30	14	25	8	68.00

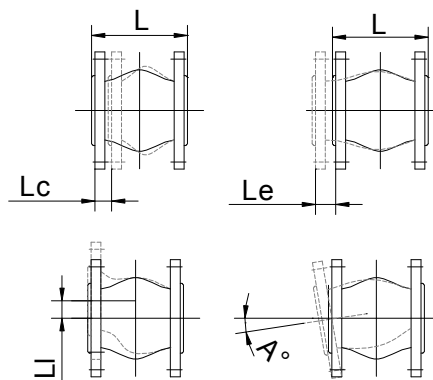
WORKING CONDITIONS



STANDARDS

Pressure test according to standards EN 12266-1, DIN 3230, BS 6755 and ISO 5208.

Flanges drilled according to standards EN 1092-1 ISO PN10/16 (DN32-150), PN10 (DN200-600).



Lc : Compression axiale
Le : Elongation axiale
Li : Mouvement latéral
A° : angular movement

TECOFI France - 83, Rue Marcel Mérieux 69960 Corbas - FRANCE
Tél. +33 (0) 4 72 79 05 79 - Fax +33 (0) 4 78 90 19 19 / +33 (0) 4 72 79 05 70
Adresses e-mail : sales@tecofi.fr ; tecofi@tecofi.fr / Site web : www.tecofi.fr