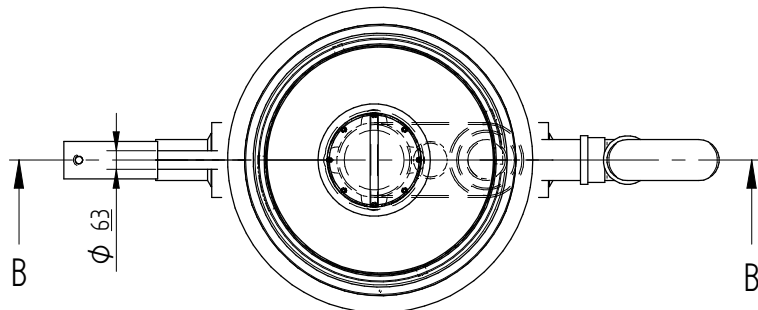
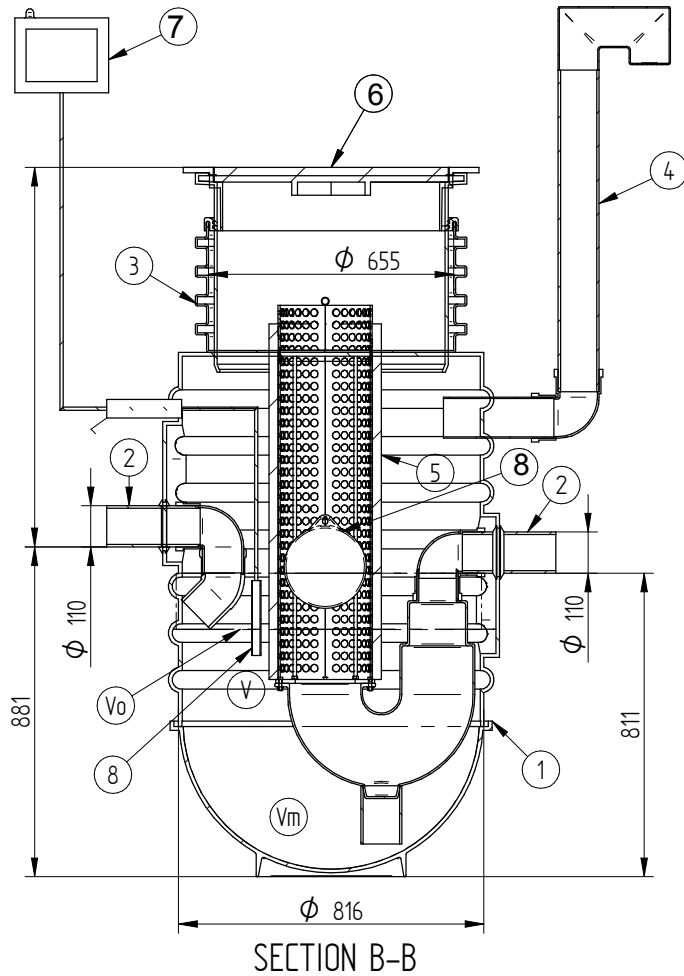
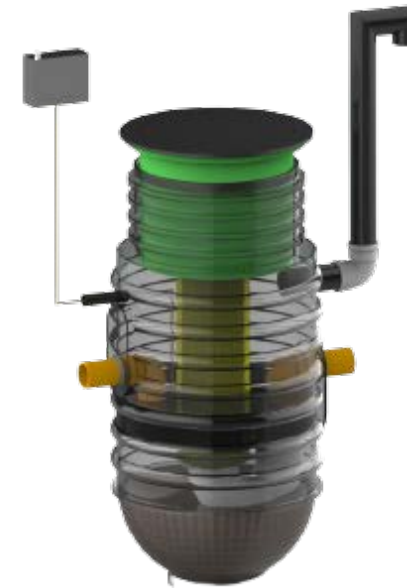




EN 858-1



I'd like to order

I'd like a quote

Mark the installation depth of the tank h (depth from the ground to the bottom of the inlet pipe in mm).
h =

Notes (name of project or address, special need etc):

| No | NAME | MATERIAL | SIZE | Qn/pcs |
|-----------------------|---|----------|-------------|--------|
| 1 | Separators body | PE-HD | D800,H881mm | 1 |
| 2 | Inlet-outlet pipe | PE-HD | D110 mm | 1 |
| 3 | Inspection well (choose right depth) | PE-HD | D600 mm | 1 |
| | Installation depth h is measured from inlet pipe bottom to groundlevel in mm. On special occasions we can adapt the body for deeper installation) | | | |
| 4 | Ventilationpipe | PE | D110 mm | 1 |
| 5 | Oil coalescence unit EC-filter | | | 1 |
| V | Total volume | | 350 dm3 | |
| Vo | Oillayer volume | | 75 dm3 | |
| Vm | Sand-mud volume | | 200 dm3 | |
| ADDITIONAL EQUIPEMENT | | | | |
| . | Telescopic cover D600 mm (make Your choice) | | | |
| 7 | Oillayer alarm (make Your choice) | | | |
| 8 | Automatic closing valve (make Your choice) | | | |

Please send the completed form by e-mail

Please check your selections and measurements before sending

| | | | | | |
|-------|-------|-----------|--------|----------------------------------|---------|
| Date | Enjin | Signature | Sheets | OILSEPARATOR I class EC Name. | NS1,5-3 |
| eccua | | Mass | Number | RV | |