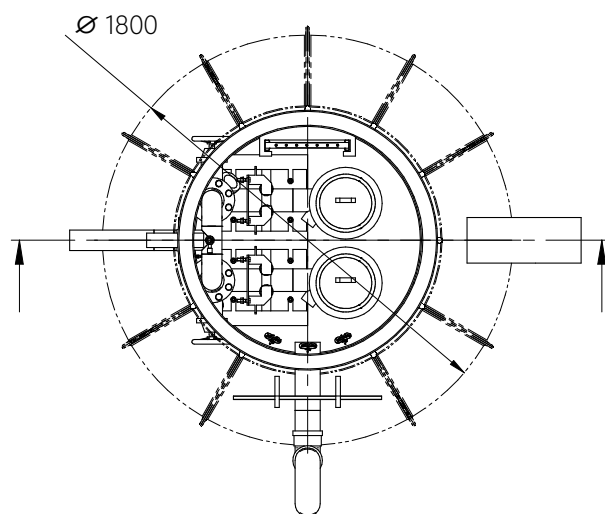


Notes (project name, or address, special requests):

Pos	NAME	MATERIAL	MIZE/ mm	Qn/pcs
1	Body	PE	1800	1
2	Service well	PE		1
3	Cover			1
4	Pumps guiderails			4
5	Ventilationpipe	PE	110	2
6	Ladder	AISI316		1
7	Pump			
8	Piping			
9	Checkvalve	GGG		
10	Gatevalve	GGG		
11	Outletpipe	PE		1
12	Inletpipe	PE		
13	Cable inlet	PE	63	2
14	Level control			
15	Pressure sensor with ballvalve			
Controlunit				
Anchoring set				
Total volume			3000 l	
Working volume			max 2000 l	

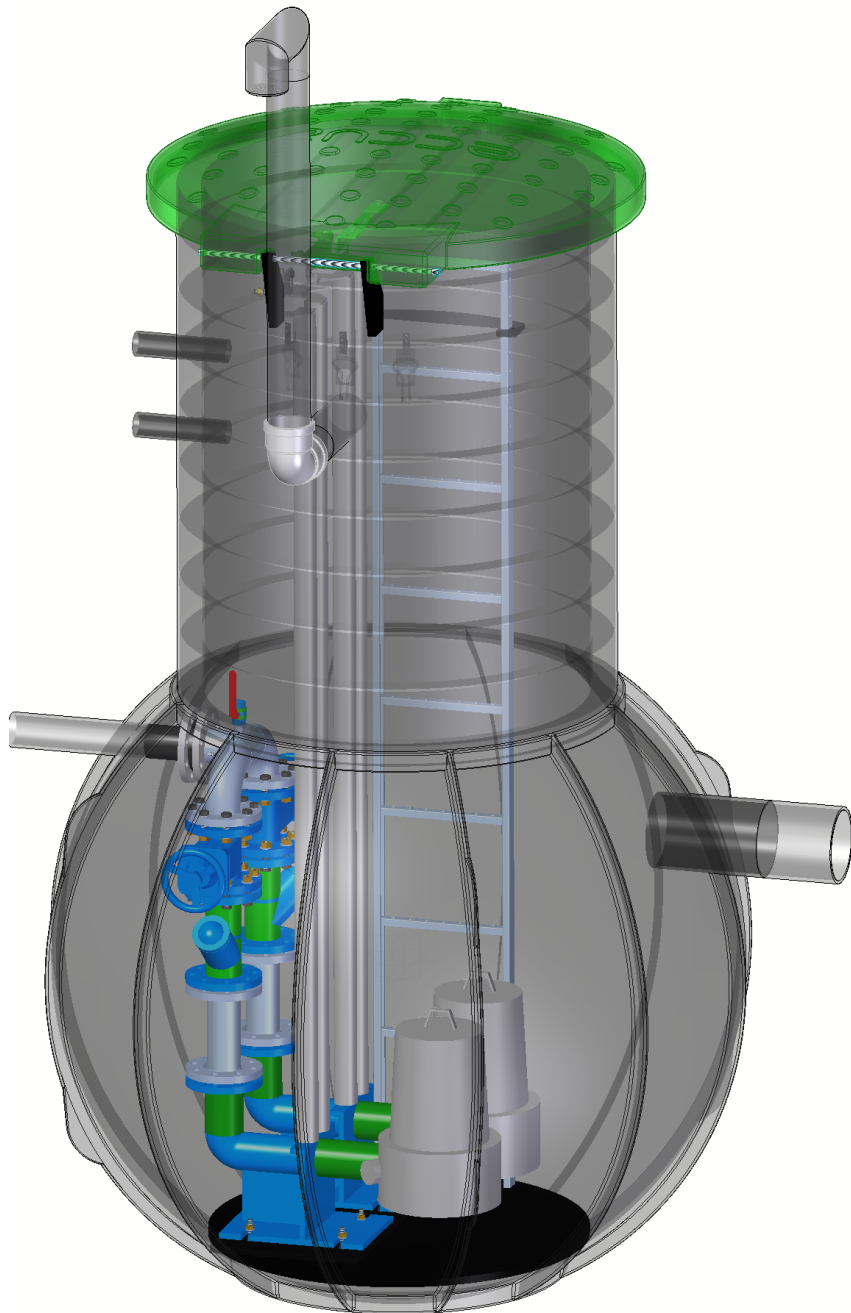


Please send the completed form by e-mail. Preferably use Google Chrome browser.

Please check your selections and measurements before sending

Date	Engin	Signature	Sheets	PUMPINGSTATION "Pridik" D1800 Orderingsheet	
eccua			Mass	Number	RV

PUMPINGSTATION "Priidik" 1800 ORDERINGSHEET TABLES



Important data for pumpingstation production

Name	Height mark	Diameter	Depth from ground	Direction / ° (Outlet 0°)
Station total H				
Groundlevel				
Outletpipe H ₁				
Inletpipe 1 H ₂				
Inlet pipe 2				
Inletpipe 3				
Cable inlet		DN65		
Bottomi				

Pumps datas (in case when pump is known)

Mark	
Connection size / DN	
Power / kW	
Tension / V	
Amperage / A	

Datas for pump selection (if exact pump is not selected)

Flow capacity/ l/s	
Lifting height /m	
Liquid type	