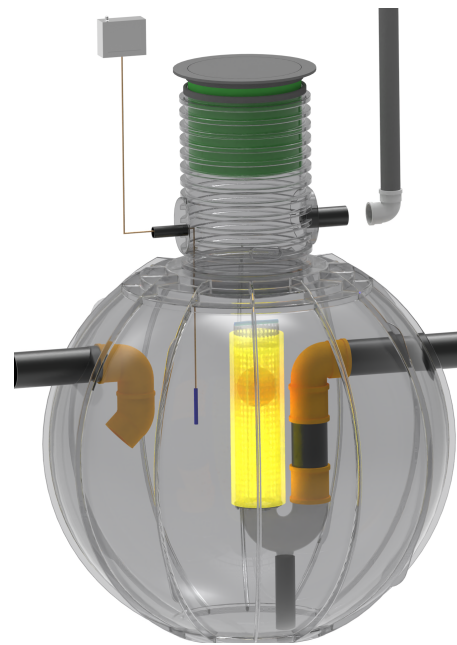
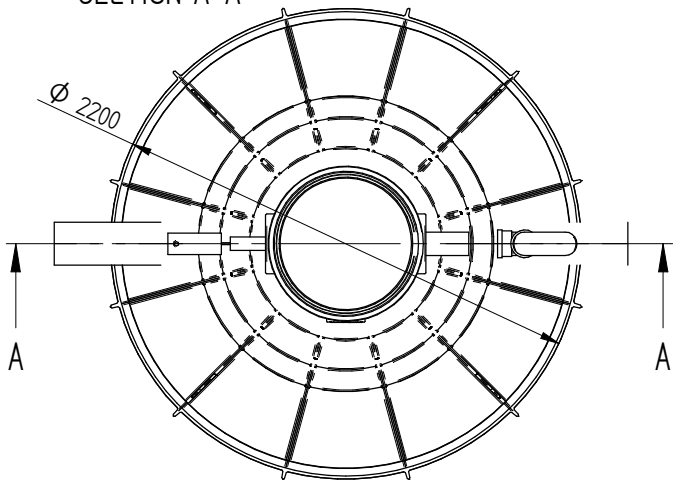


SECTION A-A



EN 858-1



I'd like to order

I'd like a quote

Mark the installation depth of the tank h (depth from the ground to the bottom of the inlet pipe in mm).

h =

Notes (name of project or address, special need etc):

No	NAME	MATERIAL	SIZE	Qn/pcs
1	Separators body	PE-HD	D2200	1
2	Inlet-outlet pipe	PE-HD	D200 mm	1
3	Inspection well (choose right depth)	PE-HD	D600 mm	1
	Installation depth h is measured from inlet pipe bottom to groundlevel in mm. On special occasions we can adapt the body for deeper installation)			
4	Ventilation pipe	PE	D110 mm	1
5	Oil coalescence unit EC-filter			1
V	Total volume		4000 dm ³	
V ₀	Oillayer volume		540 dm ³	
V _m	Sand-mud volume		2000 dm ³	
ADDITIONAL EQUIPEMENT				
.	Telescopic cover D600 mm (make Your choice)			
7	Oillayer alarm (make Your choice)			
8	Automatic closing valve (make Your choice)			

Please send the completed form by e-mail

Please check your selections and measurements before sending

	Engin	Signature	Sheets	OILSEPARATOR I class EC Name.	NS20
eccua		Mass		Number	RV