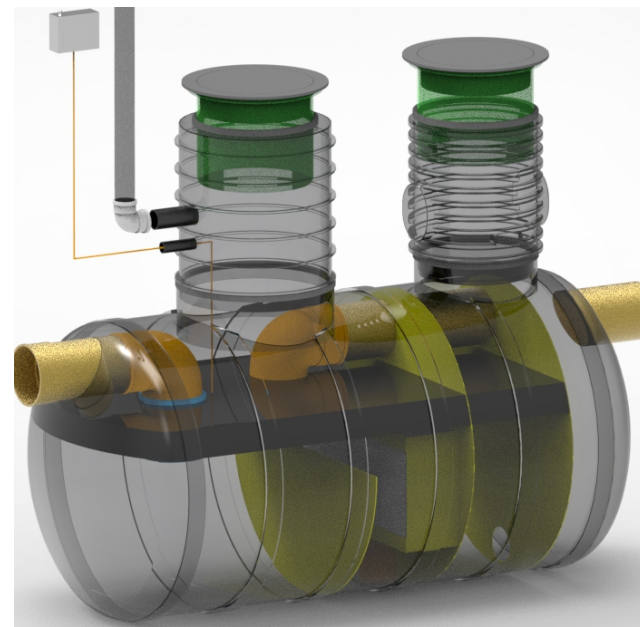




EN 858-1

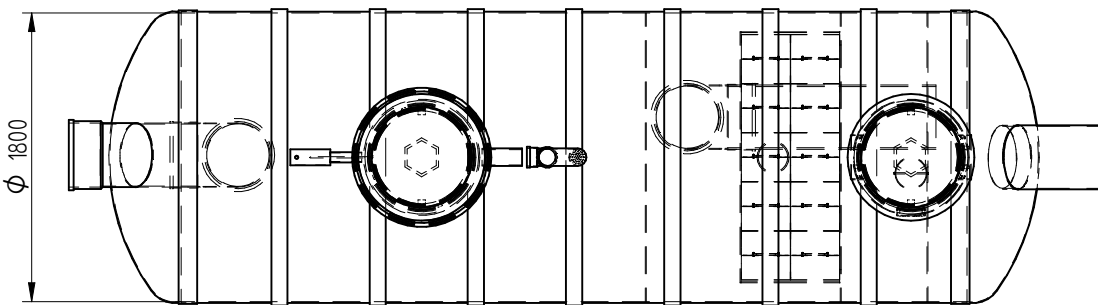
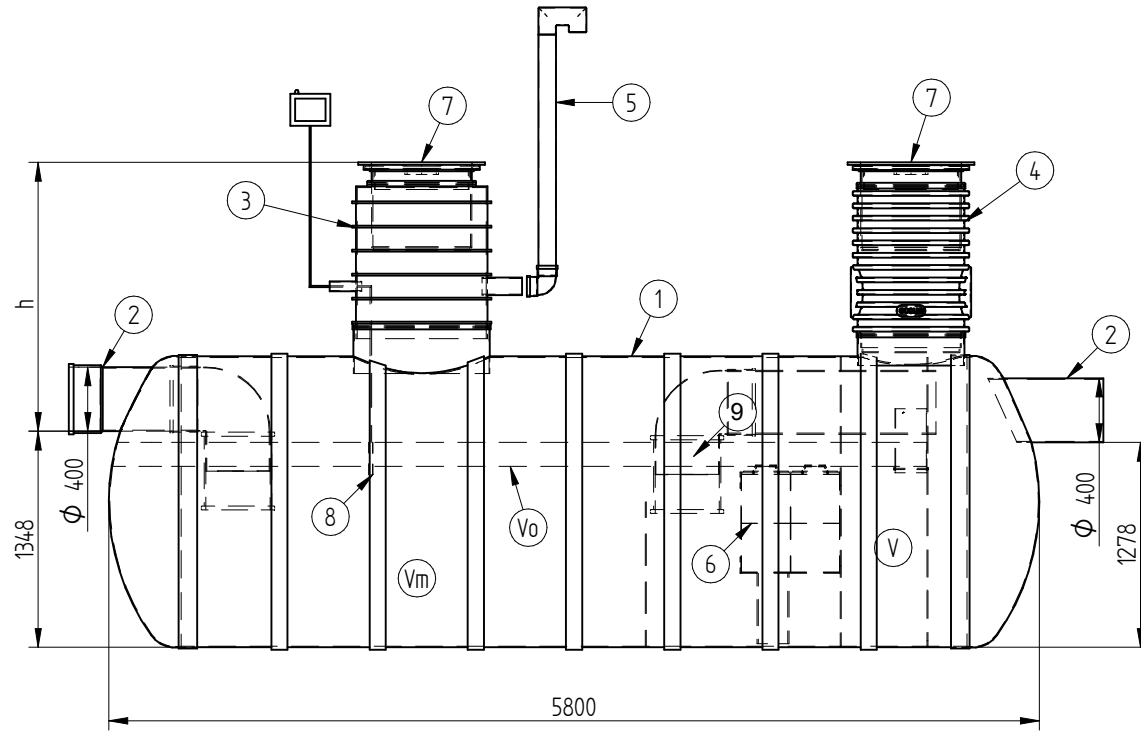


I'd like to order

I'd like a quote

Mark the installation depth of the tank h (depth from the ground to the bottom of the inlet pipe in mm)
h =

Notes (name of project or address, special need etc):



No	NAME	MATERIAL	SIZE	Qn/pcs
1	Separators body	GRP	D1800.L5800	1
2	Inlet- outlet pipe	PE-HD	D400mm	1
3	Inspectionwell 1 (choose the right depth)	PE-HD	D800 mm	1
3	Inspectionwell 2 (choose the right depth)	PE-HD	D600mm	1
Installation depth h is measured from inlet pipe bottom to groundlevel in mm. On special occasions we can adapt the body for deeper installation)				
5	Ventilationpipe	PE	D110 mm	1
6	Oil coalescence unit HD Q-PAC			1
V	Whole volume		9300 dm ³	
Vo	Oil layer volume		1 200 dm ³	
Vm	Sand- mud volume		4000 dm ³	
ADDITIONAL EQUIPEMENT (Make Your choice)				
7	Telescopic cover D600 mm			
8	Oilseparator alarmunit			
9	Bypass	PVC	D400 mm	1

Please send the completed form by e-mail

Please check your selections and measurements before sending

Date	Engin	Signature	Sheets	OILSEPARATOR I class EQ BP 40/120 with bypass
eccua		Mass	Number	RV