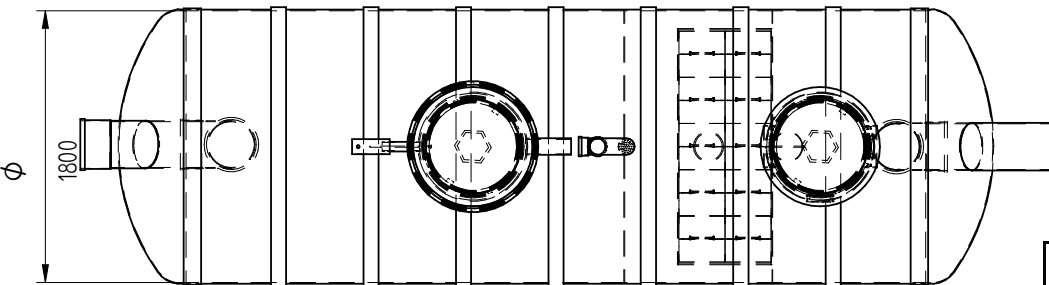
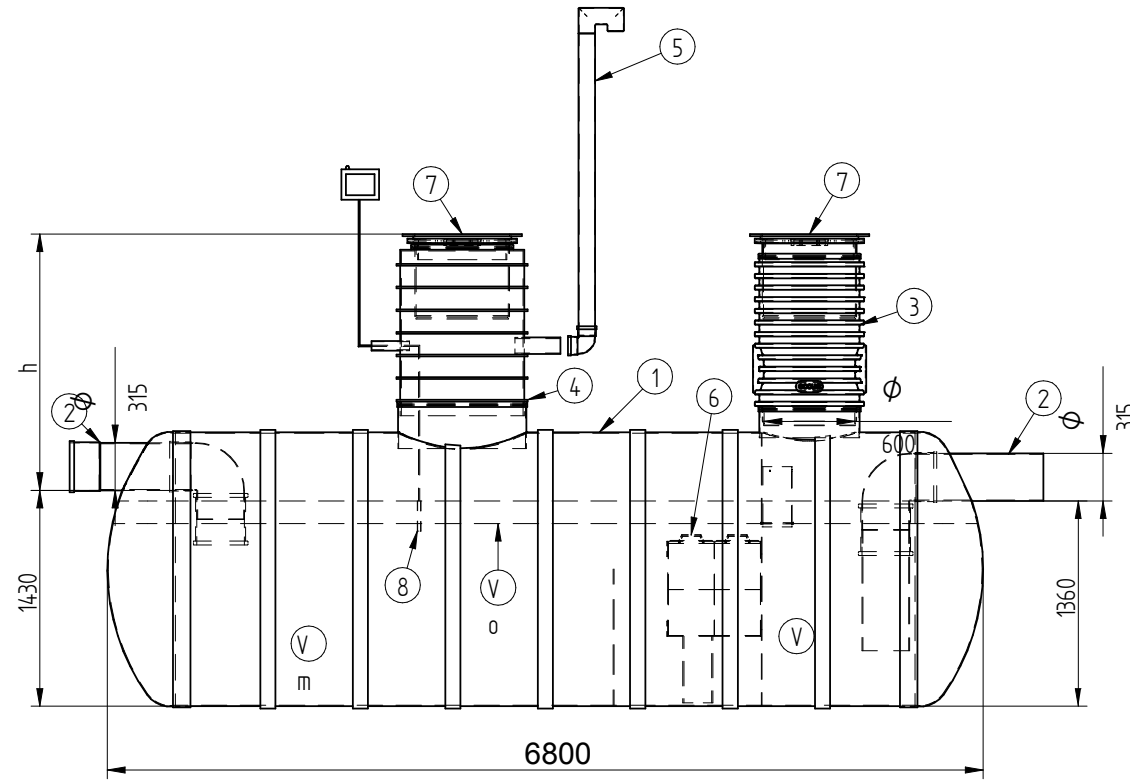
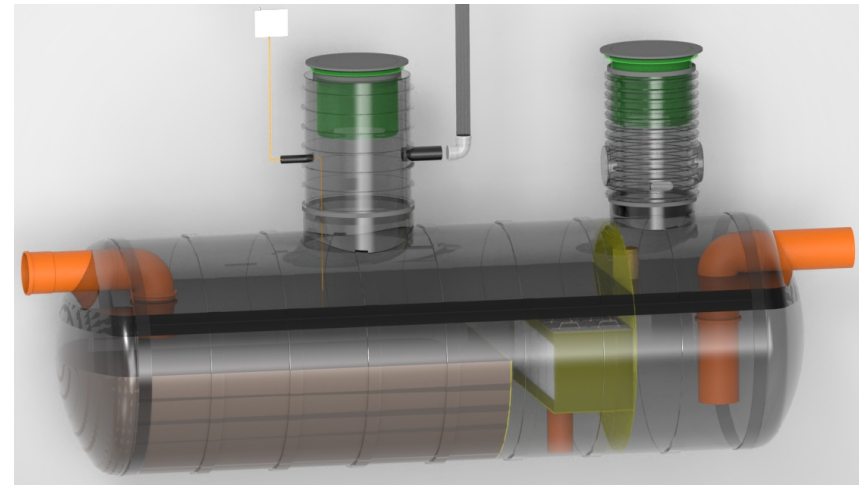




EN 858-1



I'd like to order

I'd like a quote

Mark the installation depth of the tank h (depth from the ground to the bottom of the inlet pipe in mm)

h =

Notes (name of project or address, special need etc):

No	NAME	MATERIAL	SIZE	Qn/pcs
1	Separators body	PE-HD	D1800,L6800	1
2	Inlet- outlet pipe	PE-HD	D315mm	1
3	Inspectionwell 1 (choose the right depth)	PE-HD	D800 mm	1
	Installation depth h is measured from inlet pipe bottom to groundlevel in mm. On special occasions we can adapt the body for deeper installation)			
4	Inspectionwell 2	PE-HD	D600mm	1
5	Ventilationpipe	PE-HD	D110 mm	
6	Oil coalescence unit HD Q-PAC			
V	Whole volume		11.750 dm ³	
V _o	Oil layer volume		1600 dm ³	
V _m	Sand- mud volume		5000 dm ³	
ADDITIONAL EQUIPEMENT (Make Your choice)				
7	Telescopic cover D600 mm			
8	Oilseparator alarmunit			
	Automatic closing valve			

Please send the completed form by e-mail

Please check your selections and measurements before sending

Date	Enjin	Signature	Sheets	OILSEPARATOR I class EQ-SM NS50 with sand-mud separation	
eccua		Mass	Number	RV	