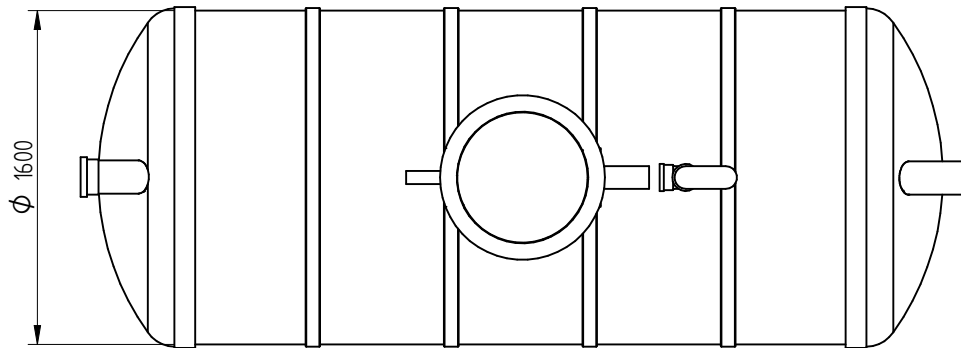


I'd like to order

I'd like a quote

Mark the installation depth of the tank h (depth from the ground to the bottom of the inlet pipe in mm)
 $h =$

Notes (name of project or address, special need etc):



No	NAME	MATERIAL	SIZE	Qn/pcs
1	Separators body	GRP	D1600, L4050	1
2	Inlet-outlet pipe	PE-HD		1
3	Inspectionwell (choose right depth)			1
Installation depth h is measured from inlet pipe bottom to groundlevel in mm. On special occasions we can adapt the body for deeper installation)				
ADDITIONAL EQUIPEMENT.				
4	COVER (choose from dropdown)			
	Sandlevel alarm			
	Water level alarm TankCheck			

Please send the completed form by e-mail

Please check your selections and measurements before sending

Date	Engin	Signature	Sheets	SAND-MUD SEPARATOR 7 000 l	
				Name.	
eccua		Mass	Number		RV