

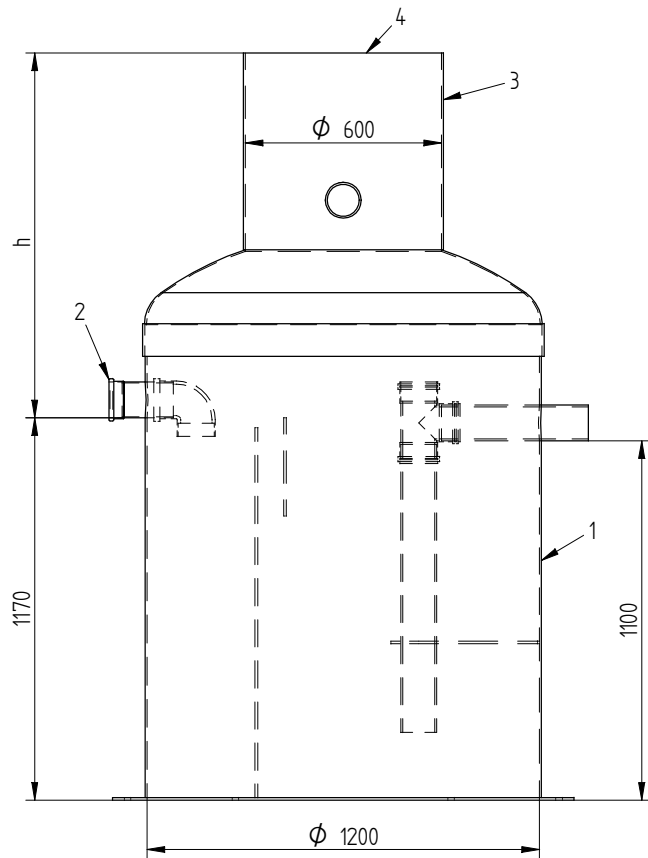
1 | 2 | 3 | 4 | 5 | 6

A

B

C

D




h= inlet pipe height from the ground.

h= _____ mm (standard height 1300mm)

Notes: _____

Pos.	Name	Technical data	Measures	Quantity
1	Body	GRP	D1200	1
2	Inlet Pipe	PVC	D110	1
3	Manhole	GRP	D600	1
4	Cover (choose one)	Plastic	D600	
		DI	D600	

Date	Enjin.	Signature	Sheets	Grease separator NS3	
				Name	Rv
eccua 				Mass	Number